

## UNIVERSAL DUCT ELBOW

GRAY 6.3X6.3 TO 45°

### FEATURES

- Construction that guarantees durability and an excellent appearance
- A sealed system that protects electrical conductors from impacts, animals, chemicals, and other unwanted intrusions.
- Designed to be disassembled.
- Black steel sheet with an electrostatic polyester powder coating, previously degreased, phosphated, and sealed to provide high corrosion resistance.

### BENEFITS

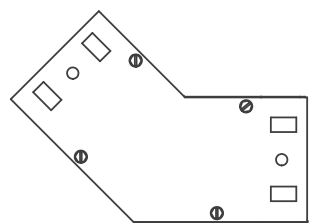
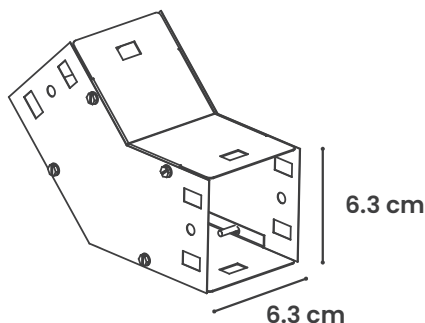
- It features an internal fold that provides greater rigidity and prevents cuts to both the installer and the cable, making it unique on the market.
- One-click connection with two self-tapping screws to improve security (built-in joint)

### SPECIFICATIONS

MATERIAL	CARBON STEEL
GAUGE	20
COLOR	ELECTRONIC GRAY
PAINT TYPE	SMOOTH HYBRID
PAINT APPLICATION	ELECTROSTATIC POWDER COATED AT 190°C
JOIN INCLUDED	NO
WEIGHT	1 KG



### ISOMETRIC



16.4 cm

### CONFIGURATIONS

### CERTIFICATIONS

CODE	DESCRIPTION	H	W	D
4KDUACOACGA6345	UNIVERSAL DUCT ELBOW GRSY 6.3X6.3 TO 45°	6.3	6.3	16.4



**HQ Manufacturing Facility**  
Gómez Palacio  
871 750 00 03, 79  
871 750 11 52, 62

**Guadalajara Branch**  
331 368 80 28  
333 162 08 75

**Monterrey Branch**  
818 191 99 91  
811 520 08 53

**Mérida Branch**  
999 445 62 12

**Chihuahua Sales Office**  
614 293 96 54

**Mexico City Sales Office**  
567 004 20 92

\*Specifications and dimensions are subject to change without notice. | Dimensions in cm

APRIL 2026