

## UNIVERSAL T DUCT

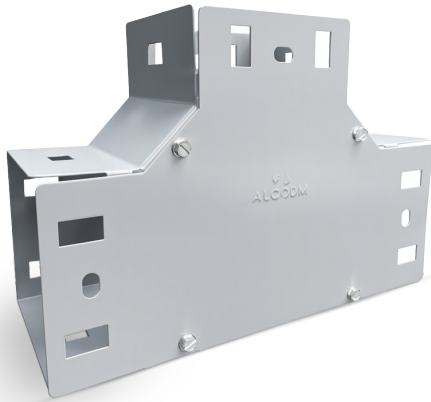
10X10

### FEATURES

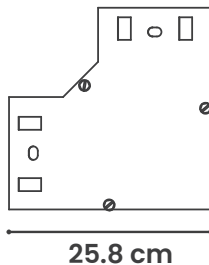
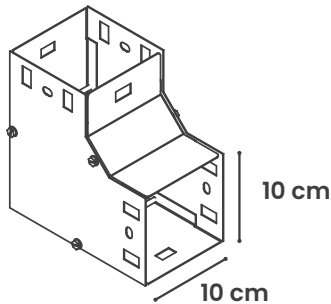
- The manufacturing process ensures durability and an excellent finish.
- Lightweight due to its construction.
- Black steel sheet with an electrostatic polyester powder coating, previously degreased, phosphated, and sealed to provide high corrosion resistance.

### BENEFITS

- One-click connection with two self-tapping screws to improve security.



### ISOMETRIC



### SPECIFICATIONS

MATERIAL	CARBON STEEL
GAUGE	20
COLOR	ELECTRONIC GRAY
PAINT TYPE	SMOOTH HYBRID
PAINT APPLICATION	ELECTROSTATIC POWDER COATED AT 190°C
JOINT INCLUDED	NO
WEIGHT	1.40 KG

### CONFIGURATIONS

### CERTIFICATIONS

CODE	DESCRIPTION	H	W	D
4KDUTEACGA10	UNIVERSAL T DUCT GRAY 10X10	10	10	25.8



**HQ Manufacturing Facility**  
Gómez Palacio  
871 750 00 03, 79  
871 750 11 52, 62

**Guadalajara Branch**  
331 368 80 28  
333 162 08 75

**Monterrey Branch**  
818 191 99 91  
811 520 08 53

**Mérida Branch**  
999 445 62 12

**Chihuahua Sales Office**  
614 293 96 54

**Mexico City Sales Office**  
567 004 20 92

\*Specifications and dimensions are subject to change without notice. | Dimensions in cm

APRIL 2026