

ELECTRICAL CABINET FOR SIEMENS SWITCH

JXDL 300-600 AMP SURFACE-MOUNT NIR

Electrical Cabinet
For Siemens Switch



FEATURES

- Manufactured to protect and house Siemens thermal-magnetic circuit breakers.
- Construction that guarantees durability and an excellent appearance
- Siemens is a registered trademark; its use is for technical information purposes only.

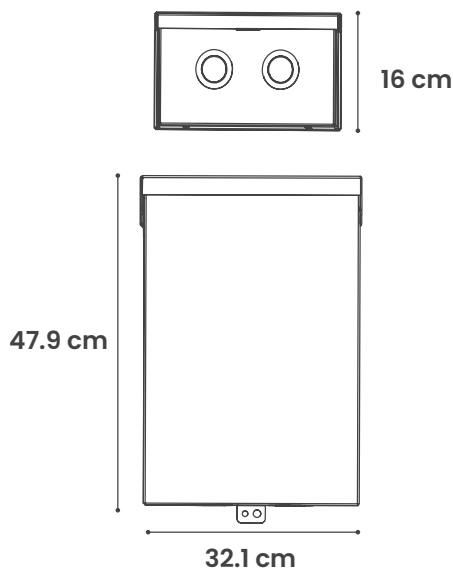
APPLICATIONS

- Protection and safeguarding of thermal-magnetic circuit breakers.

SPECIFICATIONS

MOUNTING	SURFACE MOUNT
TYPE	JXDL
MATERIAL	CARBON STEEL SHEET
GAUGE	18
CABINET COLOR	GRAY (ANSI 61)
PAINT TYPE	TEXTURED POLYESTER
PAINT APPLICATION	ELECTROSTATIC POWDER COATED AT 190°
NEMA	N1
TYPE OF LOCK	PADLOCK HOLDER
HINGED	RIVET
SHIPMENT	N/A
SWITCH CAPACITY	300-600 AMP
WEIGHT	5 KG

ISOMETRIC



CONFIGURATIONS

CODE	DESCRIPTION	H	W	D
2KINSOACGASJXDL600	ELECTRICAL CABINET FOR SIEMENS SWITCH JXDL 300-600 AMP SURFACE-MOUNT NIR	47.9	32.1	16

CERTIFICATIONS



HQ Manufacturing Facility
Gómez Palacio
871 750 00 03, 79
871 750 11 52, 62

Guadalajara Branch
331 368 80 28
333 162 08 75

Monterrey Branch
818 191 99 91
811 520 08 53

Mérida Branch
999 445 62 12

Chihuahua Sales Office
614 293 96 54

Mexico City Sales Office
567 004 20 92