

GENERAL-PURPOSE ELECTRICAL CABINET

STAINLESS STEEL 120x80x30

Electrical Cabinets
General-Purpose Stainless Steel



FEATURES

- Injection-molded polyurethane gasket.
- Made of 304 stainless steel.
- Electrical grounding screw.
- Quarter-turn zinc-plated plate.
- Stainless steel hardware and galvanized mounting plate.
- Door opening: 120°.

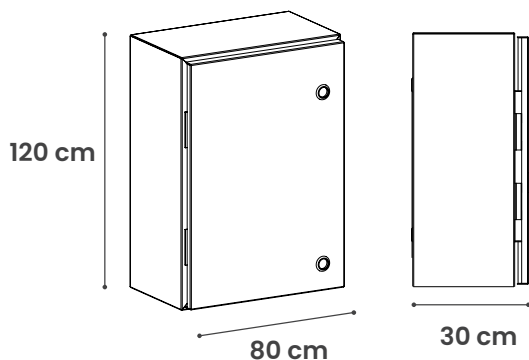
BENEFITS

- **IP66 protection.**
- Removable door and base plate.
- UL-certified injection-molded gasket.
- Doors with recessed corners to prevent water ingress.
- High corrosion resistance.

APPLICATIONS

- Used in the food industry, humid environments, and areas with high salinity.

ISOMETRIC



ESPECIFICACIONES

TYPE	SURFACE-MOUNT
APPLICATION	INDOOR
MATERIAL	304 STAINLESS STEEL
GAUGE	18
MOUNTING PLATE	YES
MOUNTING PLATE MATERIAL	GALVANIZED SHEET
MOUNTING PLATE DIMENSIONS	65X45 CM
MOUNTING PLATE GAUGE	16
SCREWS	STAINLESS STEEL
TYPE OF LOCK	KEY-LOCKING QUARTER-TURN LATCH
NUMBER OF LATCHES	2
HINGED	REINFORCED AND STAINLESS STEEL
SHIPMENT	INJECTED POLYURETHANE
PROTECTION	IP66
WEIGHT	56 KG

CONFIGURATIONS

CERTIFICATIONS

CODE	DESCRIPTION	H	W	D
2KUGSOAINA1208030	GENERAL-PURPOSE ELECTRICAL CABINET 120X80X30	120	80	30



HQ Manufacturing Facility
Gómez Palacio
871 750 00 03, 79
871 750 11 52, 62

Guadalajara Branch
331 368 80 28
333 162 08 75

Monterrey Branch
818 191 99 91
811 520 08 53

Mérida Branch
999 445 62 12

Chihuahua
Sales Office
614 293 96 54

Mexico City
Sales Office
567 004 20 92