

## MEASURE CABINET

55x55x35 WITH WOOD



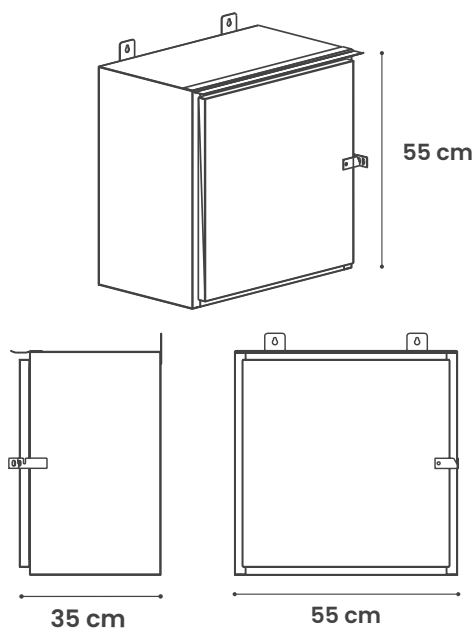
### FEATURES

- Designed to protect both electrical equipment and the users using it.
- Their mounting brackets allow the installer to quickly secure them to various surfaces.

### APPLICATIONS

- Ideal for protections of electrical and electronic devices, motor controls, and electrical wiring distribution, among other applications.

### ISOMETRIC



### SPECIFICATIONS

<b>MOUNTING</b>	SURFACE-MOUNT
<b>MATERIAL</b>	CARBON STEEL SHEET
<b>GAUGE</b>	20
<b>CABINET COLOR</b>	GRAY (ANSI 61)
<b>PAINT TYPE</b>	TEXTURED POLYESTER
<b>PAINT APPLICATION</b>	ELECTROSTATIC POWDER COATING
<b>MOUNTING PLATE</b>	YES (WOOD)
<b>MOUNTING PLATE DIMENSIONS</b>	50X50X1.6 CM
<b>HINGED</b>	TUBULAR
<b>TYPE OF LOCK</b>	PADLOCK HOLDER
<b>TYPE OF GASKET</b>	N/A
<b>WEIGHT</b>	12.9 KG

### CONFIGURATIONS

CODE	DESCRIPTION	H	W	D
2KMESOACGA5555M	MEASURE CABINET 55X55X35 WITH WOOD	55	55	35

### CERTIFICATIONS



**HQ Manufacturing Facility**  
Gómez Palacio  
871 750 00 03, 79  
871 750 11 52, 62

**Guadalajara Branch**  
331 368 80 28  
333 162 08 75

**Monterrey Branch**  
818 191 99 91  
811 520 08 53

**Mérida Branch**  
999 445 62 12

**Chihuahua Sales Office**  
614 293 96 54

**Mexico City Sales Office**  
567 004 20 92