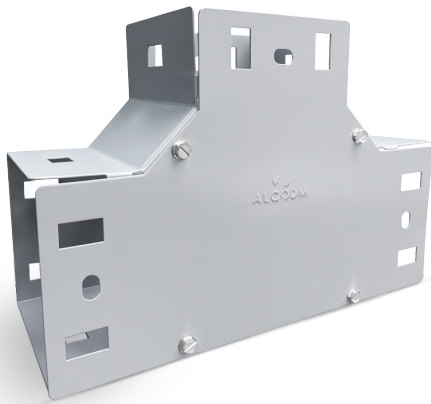


## UNIVERSAL T DUCT

15X15



### FEATURES

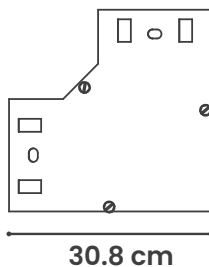
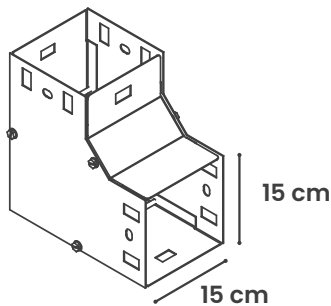
- The manufacturing process ensures durability and an excellent finish.
- Lightweight due to its construction.
- Black steel sheet with an electrostatic polyester powder coating, previously degreased, phosphated, and sealed to provide high corrosion resistance.

### BENEFITS

- One-click connection with two self-tapping screws to improve security.



### ISOMETRIC



### SPECIFICATIONS

MATERIAL	CARBON STEEL
GAUGE	20
COLOR	ELECTRONIC GRAY
PAINT TYPE	SMOOTH HYBRID
PAINT APPLICATION	ELECTROSTATIC POWDER COATED AT 190°C
JOINT INCLUDED	NO
WEIGHT	2 KG

### CONFIGURATIONS

### CERTIFICATIONS

CODE	DESCRIPTION	H	W	D
4KDUTEACGA15	UNIVERSAL T DUCT GRAY 15X15	15	15	30.8



HQ Manufacturing Facility  
Gómez Palacio  
871 750 00 03, 79  
871 750 11 52, 62

Guadalajara Branch  
331 368 80 28  
333 162 08 75

Monterrey Branch  
818 191 99 91  
811 520 08 53

Mérida Branch  
999 445 62 12

Chihuahua  
Sales Office  
614 293 96 54

Mexico City  
Sales Office  
567 004 20 92

\*Specifications and dimensions are subject to change without notice. | Dimensions in cm

APRIL 2026